

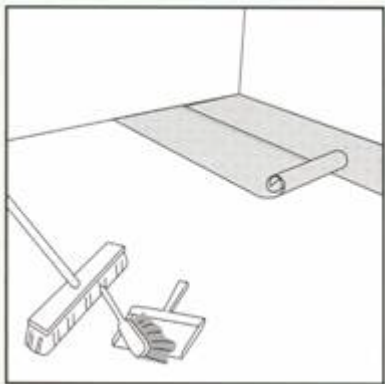
BERRYLOC FLOORING INSTALLATION GUIDE (Floating)

Floating installation by locking, without glue, hammer or tapping block

Thanks to the BerryLOC® patented installation system, it is possible to install BerryWood flooring to perfection, as easily as can be, whether you are a professional or not. The system indeed simplifies the installation of the floor, without hammer or tapping block, while multiplying the advantages:

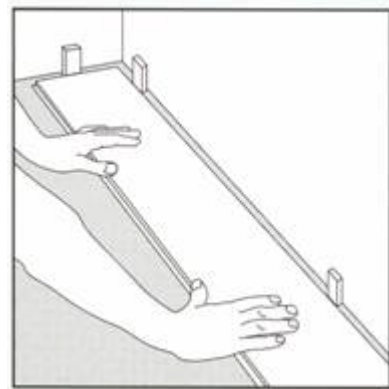
- **Safer (no risk of injury)**
- **Faster (no tools required)**
- **More durable (undamaged planks and superior resistance to traction)**
- **More economical (no additional cost)**

1 Prior to installing the floor, keep the Berry Wood planks flat in their package for at least 48 hours in a room at room temperature (18-20°C). Verify that the surface of the planks has not suffered any transport damage. Also check whether, once the hardwood floor and underlayment will be fitted, it will still be possible to open the doors completely. If this is not the case, you have to plane the doors so as to obtain a clearance of at least 1mm.

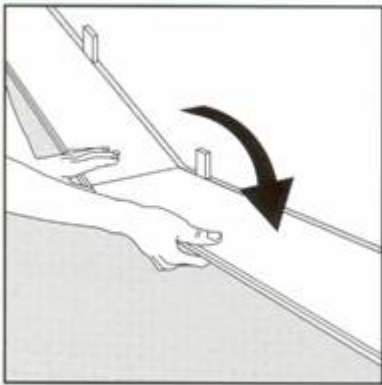


2 Having cleaned the sub floor, fit a polyethylene sheet and the underlayment. The widths must overlap each other by at least 20cm. The strips are always laid along the length of the room, ideally at an ambient temperature of 18°C.

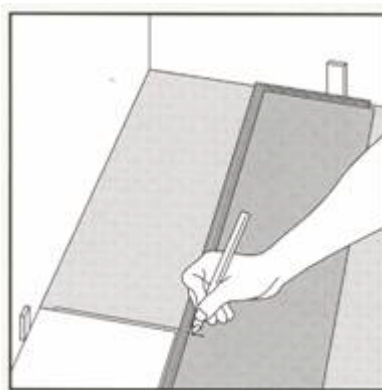
3 Place the first plank against the left wall, tongue side pointing towards the wall. Allow for an expansion of 10mm using wedges. If the wall is not straight, saw the plank and adapt it to the contour of the wall.



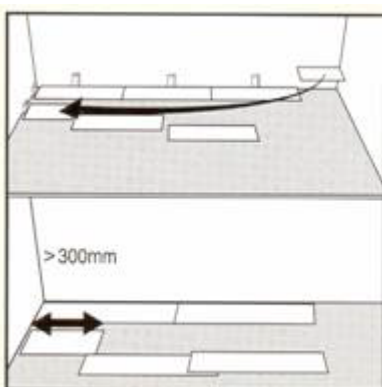
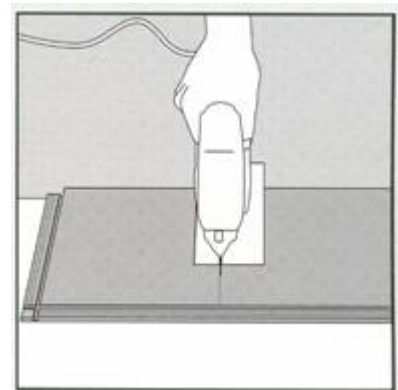
BERRYLOC FLOORING INSTALLATION GUIDE (Floating)



4 Press the end of the second plank into the previous plank and install flat on the floor. Complete the first row in the same manner.



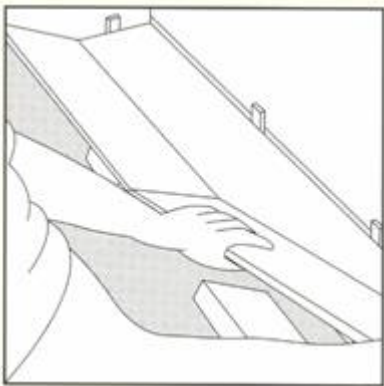
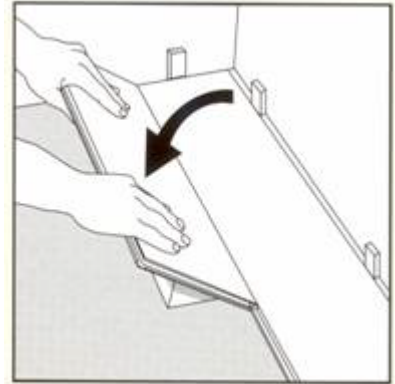
5 At the end of the row, place the final plank facing down and with the short tongue side towards the wall. Make sure to leave an expansion of 10mm, and mark where it is to be cut. To cut the plank, place it face down on the work surface and cut to size using a jig-saw. Use a fine-toothed type if you are using a hand saw. In this case cut the plank facing up.



6 Start the second row using a cut piece of plank from the previous row. This must be at least 30cm long. If the piece is too short, start with a new plank cut in half. Make sure that the end-plank joints are at least 30cm apart.

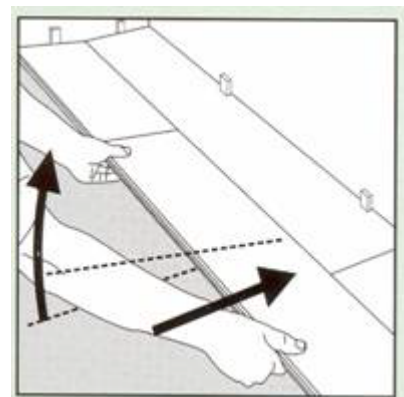
BERRYLOC FLOORING INSTALLATION GUIDE (Floating)

7 Place the sawn plank by tilting it against the first row plank. Apply pressure and, at the same time, press down towards the floor. Place a triangular wedge under the plank



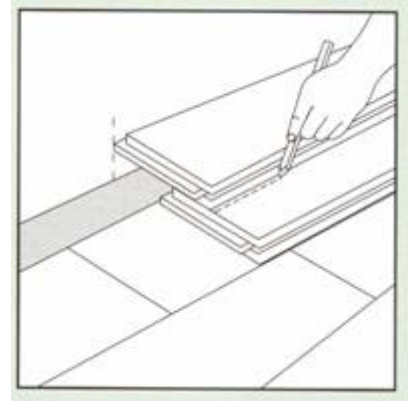
8 Place the end of the second plank against the end of the first plank and fit them together by pressing down towards the floor. Be sure to correctly align the planks, and position another triangular wedge.

9 Continue in this way with the whole row. Be sure that the tongue is driven well into the groove, and press the planks strongly towards the floor so as to fit them together. Remove the wedges at the same time.



BERRYLOC FLOORING INSTALLATION GUIDE (Floating)

10 For the final row, place a plank exactly on top of the last installed row. Using a second plank with its tongue side against the wall, trace your measurements on the superimposed plank, cut and insert it.



Doorframes and linings:

Saw the bottom of the doorframe. Take a plank to check whether it passes underneath. For a metal doorframe, work around it, while allowing for the expansion gap.



Pipes:

Measure and mark out the position of the pipes on the plank, adding a clearance of 10mm. Having cut the plank as shown on the drawing, place the plank and the cut piece back in position.